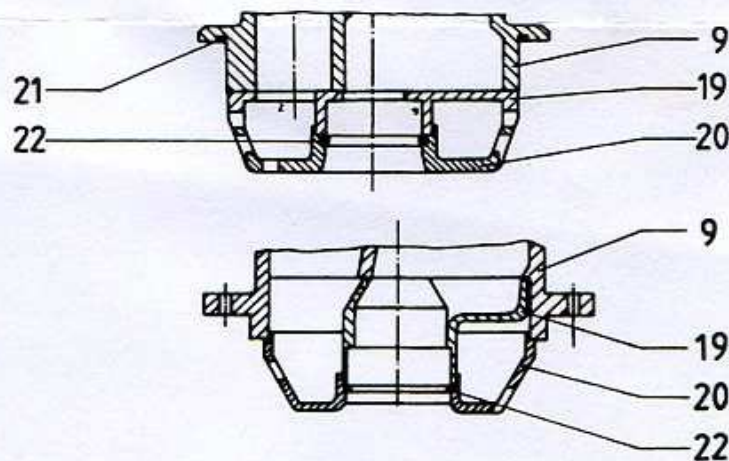
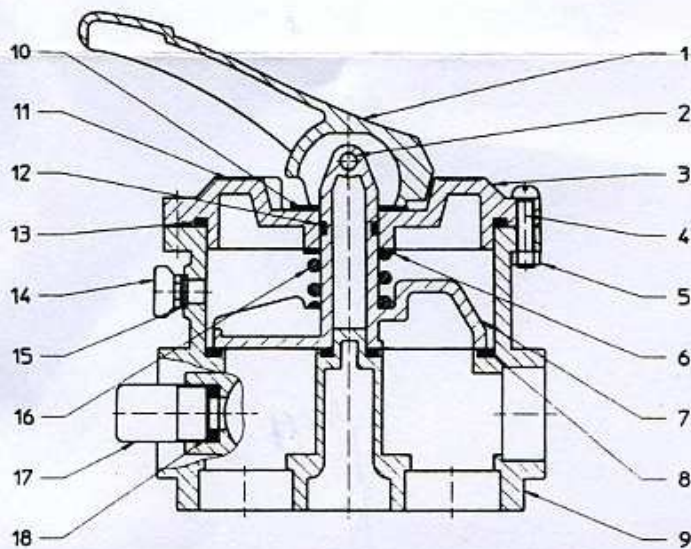


Abb. 2

Figure 2

Schéma 2

**III. ERSATZTEILLISTE**

| Nr. | Beschreibung | Werkstoff |
|-----|--|---------------------------|
| 1. | Griff | ABS |
| 2. | Bolzen | 1.4305 |
| 3. | Deckel | ABS (PPOGF) ¹ |
| 4. | Schraube | 1.4301 |
| 5. | Mutter | 1.4301 |
| 6. | Scheibe | POM |
| 7. | Teller | PPOGF |
| 8. | Sterndichtung thermopl. Elastomer (EPDM) 1,2 | |
| 9. | Gehäuse | ABS, (PPOGF) ¹ |
| 10. | Scheibe | POM |
| 11. | Etikette | |
| 12. | O-Ring | NBR (FPM) ³ |
| 13. | O-Ring | NBR (FPM) ³ |
| 14. | Flügelschraube | PBTP |
| 15. | O-Ring | NBR (FPM) ³ |
| 16. | Feder | 1.4401 |
| 17. | Schauglas | PC |
| 18. | Flachdichtung | NBR (FPM) ³ |
| 19. | Übergangsstück | ABS |
| 20. | Wasserverteiler | ABS |
| 21. | O-Ring | NBR (FPM) ³ |
| 22. | O-Ring | NBR (FPM) ³ |

III. SPARE PART LIST

| No. | Components description | Material |
|-----|------------------------|-------------------------------|
| 1. | Handle | ABS |
| 2. | Handle pin | 1.4305 |
| 3. | Cover | ABS (PPOGF) ¹ |
| 4. | Screw | 1.4301 |
| 5. | Screwnut | 1.4301 |
| 6. | Washer | POM |
| 7. | Plate | PPOGF |
| 8. | Star gasket | thermopl. Elastomer (EPDM)1,2 |
| 9. | Housing | ABS, (PPOGF) ¹ |
| 10. | Washer | POM |
| 11. | Label plate | |
| 12. | O-ring | NBR (FPM) ³ |
| 13. | O-ring | NBR (FPM) ³ |
| 14. | T-screw | PBTP |
| 15. | O-ring | NBR (FPM) ³ |
| 16. | Spring | 1.4401 |
| 17. | Sight glas | PC |
| 18. | Flatpacking | NBR (FPM) ³ |
| 19. | Transition piece | ABS |
| 20. | Diffuser | ABS |
| 21. | O-ring | NBR (FPM) ³ |
| 22. | O-ring | NBR (FPM) ³ |

III. LISTE DE PIÈCES DÉTACHÉES

| NO. | Description composantes | matière |
|-----|-------------------------|-------------------------------|
| 1. | Poignée | ABS |
| 2. | Axe | 1.4305 |
| 3. | Couvercle | ABS (PPOGF) ¹ |
| 4. | Vis | 1.4301 |
| 5. | Ecrou | 1.4301 |
| 6. | Rondelle plate | POM |
| 7. | Disque | PPOGF |
| 8. | Joint étoile | thermopl. Elastomer (EPDM)1,2 |
| 9. | Boite | ABS, (PPOGF) ¹ |
| 10. | Rondelle plate | POM |
| 11. | Etiquette | |
| 12. | O-ring | NBR (FPM) ³ |
| 13. | O-ring | NBR (FPM) ³ |
| 14. | Vis à oreilles | PBTP |
| 15. | O-ring | NBR (FPM) ³ |
| 16. | Ressort | 1.4401 |
| 17. | Verre indicateur | PC |
| 18. | Garniture plate | NBR (FPM) ³ |
| 19. | Raccord | ABS |
| 20. | Diffuseur | ABS |
| 21. | O-ring | NBR (FPM) ³ |
| 22. | O-ring | NBR (FPM) ³ |

Hinweis:

1 Werkstoff in Klammern gilt für die Ventile SM 11, SM 21, SM 31

Note:

Material in clips refers to models SM 11, SM 21, SM 31

Indications:

La matière indiquée entre parenthèse concene les vannes SM 11, SM 21, SM 31

2 bei den Ventilen SM 10, SM 20, SM 30, TM 12, TM 22 auf Anfrage
for the models SM 10, SM 20, SM 30, TM 12, TM 22 upon request
pour les vannes SM 10, SM 20, SM 30, TM 12, TM 22 sur demande

3 (bei allen Ventilen) auf Anfrage
(for all models) upon request
(pour toutes les vannes) sur demande

Technische Änderungen vorbehalten
Subjects to technical modification
Sous réserve de modifications techniques



Zertifiziert nach



DIN / ISO 9001

Praher